

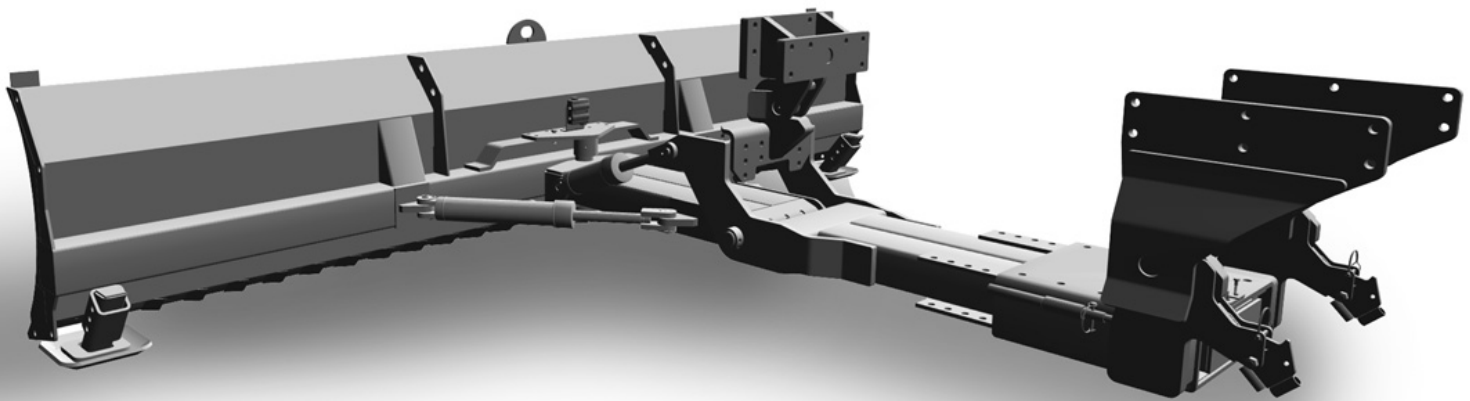
**Degelman**  
INDUSTRIES LTD.

46/57 **Dloek**<sup>®</sup>  
*dozerblade*

**New Holland 8670 - 8970  
& 8670A - 8970A**

**Bühler Genesis  
2145/2160/2180/2210**

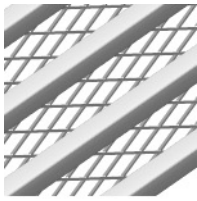
**Tractors**



**MANUAL**

**142913**





# **Degeleman** INDUSTRIES LTD.

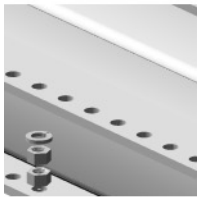
**46/57 D<sup>lock</sup>®**  
*dozerblade*

**New Holland 8670 - 8970  
& 8670A - 8970A**

**Bühler Genesis**  
**2145/2160/2180/2210**

### **Tractors**

<b>Blade, pivot frame</b>	<b>1</b>
<b>Hydraulics</b>	<b>3</b>
<b>Tractor fit-up, mounting</b>	<b>5</b>
<b>Operation, maintenance</b>	<b>9</b>
<b>Attachments</b>	<b>11</b>
<b>Safety, warranty</b>	<b>12</b>



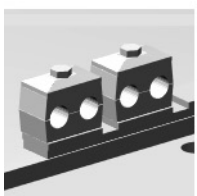
## **SAFETY**

The safety instructions that follow pertain only to this specific equipment. You should be aware of agricultural & industrial safety especially related to heavy equipment. If you are not familiar with safety procedures then you should get training. Improper use will result in maiming or death.

**272 Industrial Drive, Box 830  
Regina, Sask. Canada S4P 3B1  
306 543-4447 543-2140 fx**

**[degeleman@degeleman.com](mailto:degeleman@degeleman.com)**

**[www.degeleman.com](http://www.degeleman.com)**



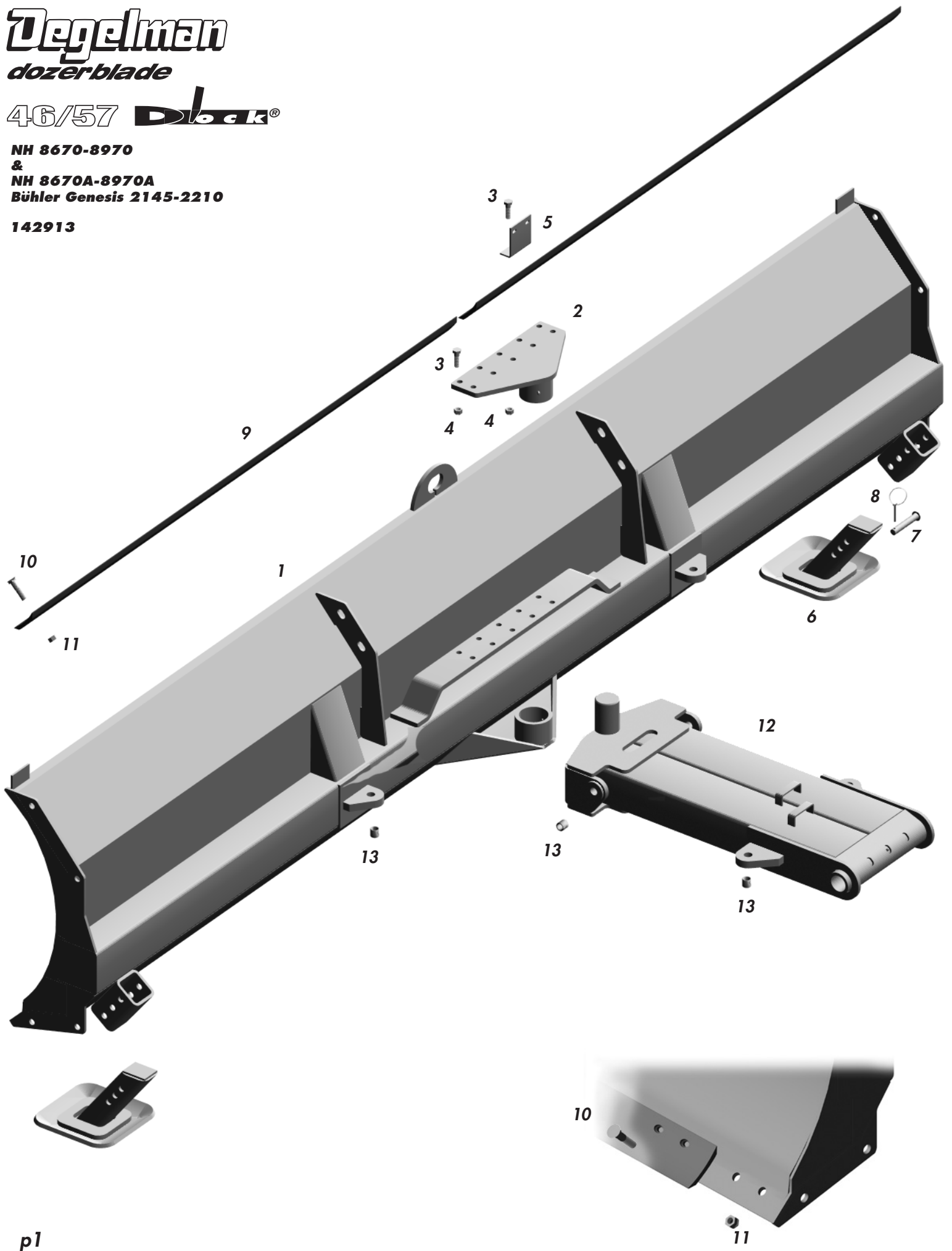
# Degelman

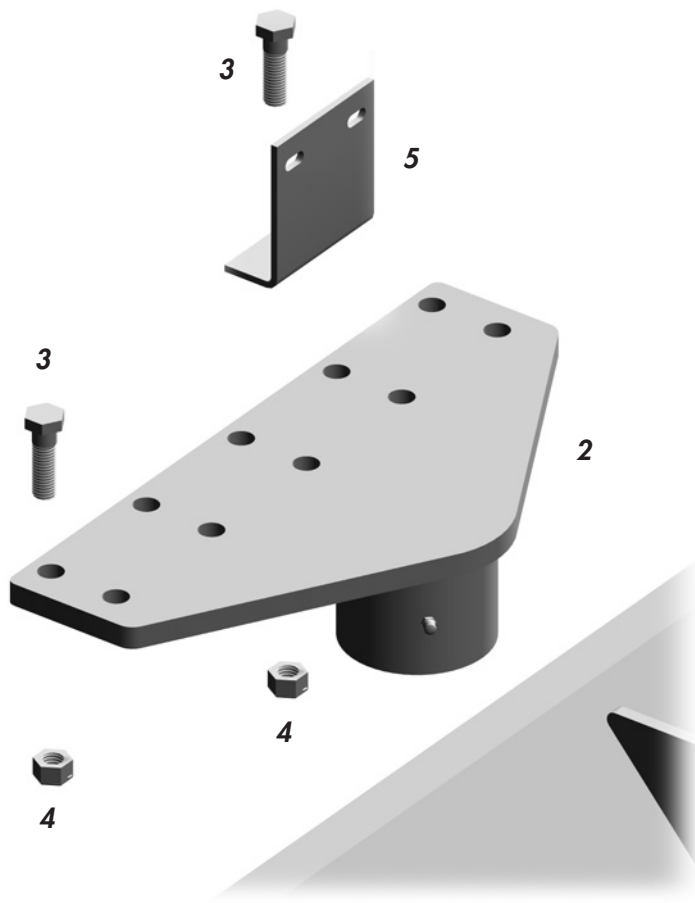
dozerblade

46/57 **Dlock**®

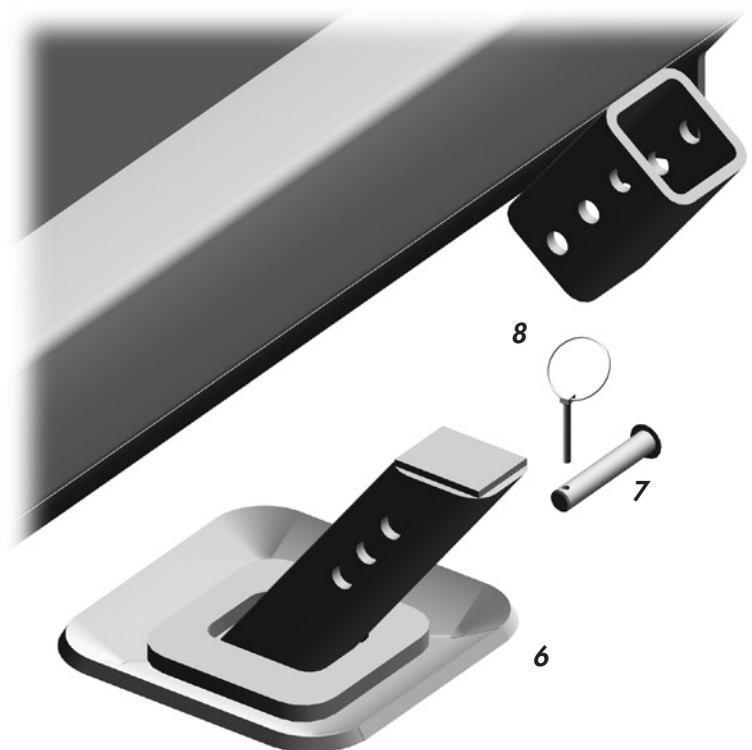
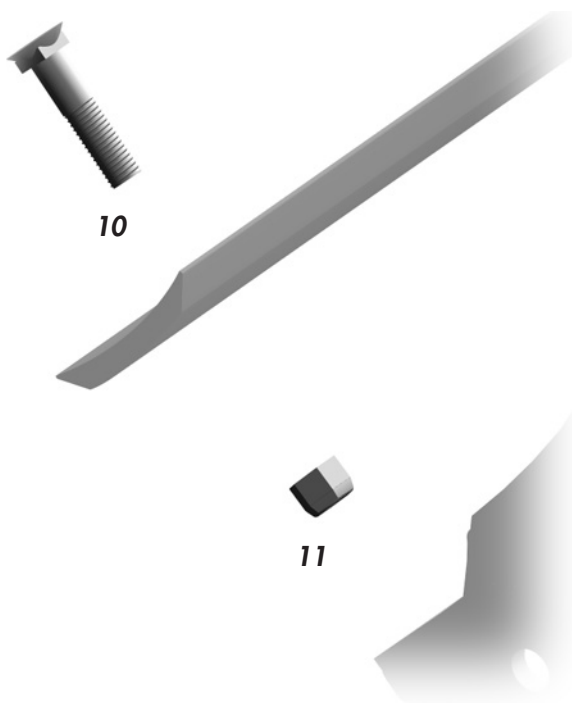
NH 8670-8970  
&  
NH 8670A-8970A  
Bühler Genesis 2145-2210

142913

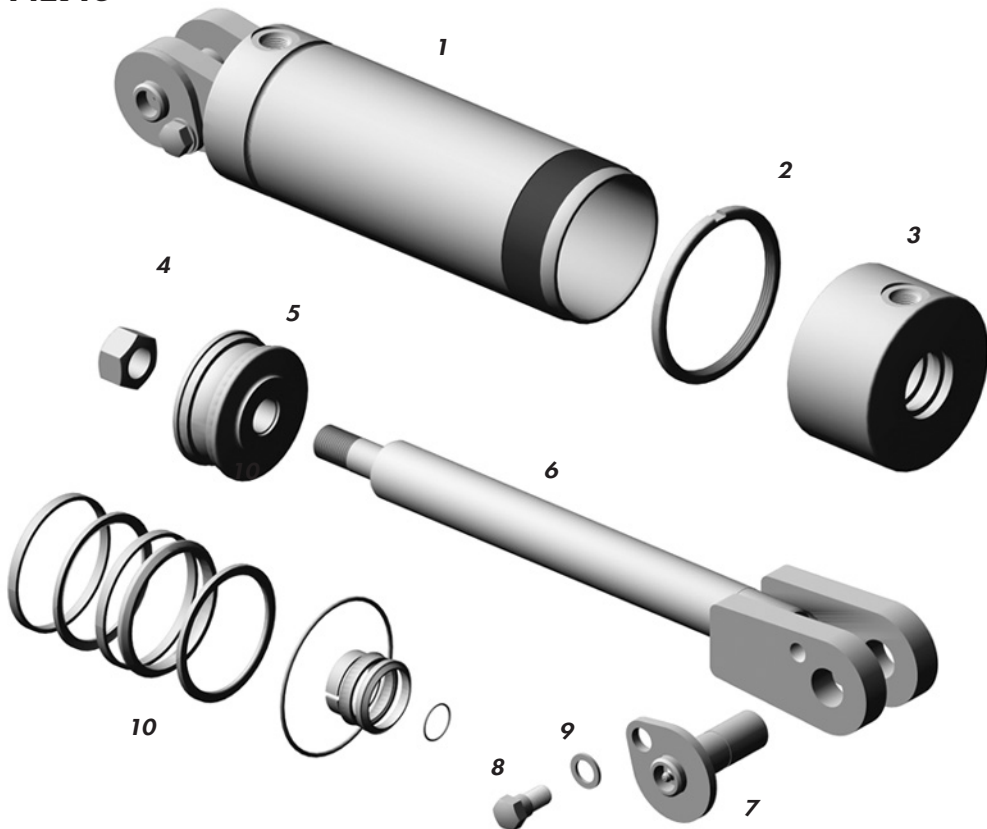




			Qty
1	778024	14ft 46/57 Dlock blade	1
	778003	12ft	1
	778002	10ft	1
	778001	9ft	1
2	778051	Angling cap	1
3	118795	Bolt 5/8 x 2 1/4 Gr8	10
4	118447	Lock nut 5/8 GrC	10
5	778127	Relief valve brkt	1
6	806001	Depth shoe	2
7	115402	Pin 3/4 x 4 1/8	2
8	118901	Lynch pin 3/16 x 1 1/2	2
9	116207	7ft Cutting edge, 14ft bld	2
	116206	6ft, 12ft bld	2
	116210	10ft, 10ft bld	1
	116209	9ft, 10ft bld	1
10	118204	Plow bolt 5/8 x 2 1/4	as
11	118448	Lock nut 5/8 unitorq	required
12	778058	5700 Pivot frame	1
13	117087	Wear bushing 1	6



142913

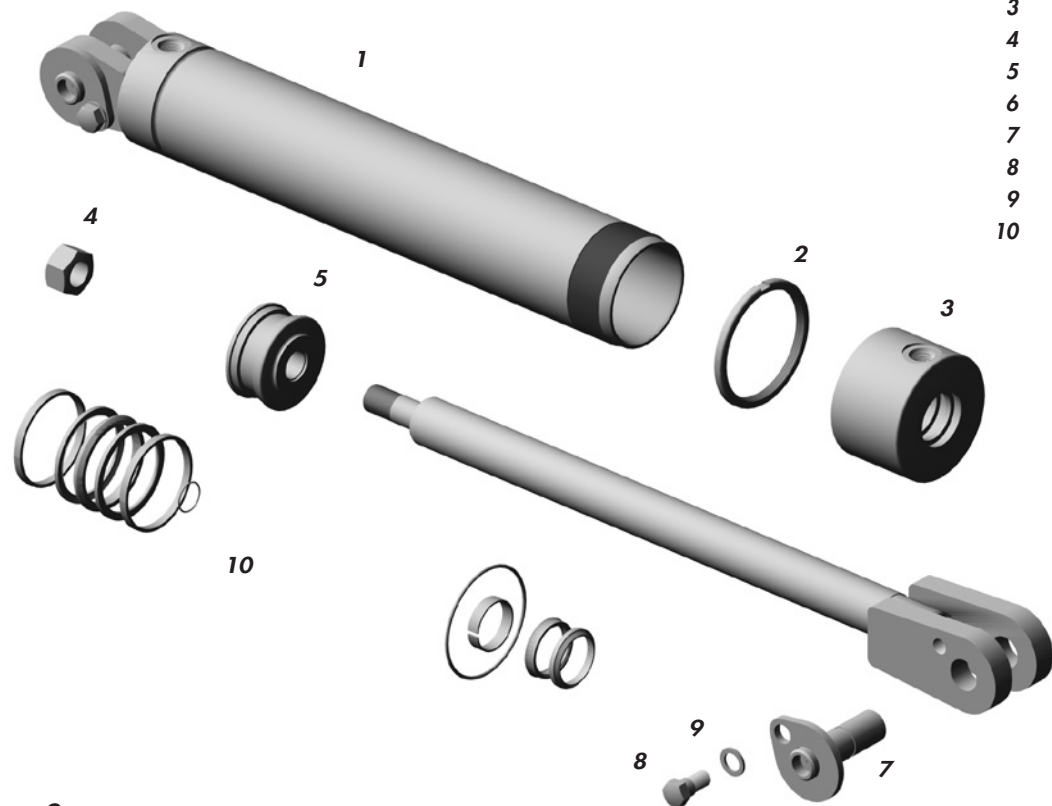


## Hydraulics

122731, 3 1/2 x 8 x 1 1/2 Lift cylinder

1	121687	Barrel	1
2	122658	Lock ring	1
3	122656	Open cap	1
4	118441	Lock nut 7/8 unf unitq	1
5	122663	Piston	1
6	122083	Rod & clevis	1
7	118930	Clevis pin	2
8	118796	Shld bolt 1/2 x 1 1/8	2
9	118924	Flat washer .591	2
10	122522	Seal kit	

780040 Lift hydraulic kit

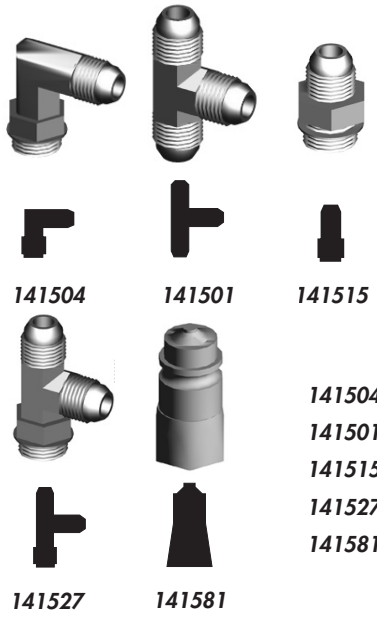
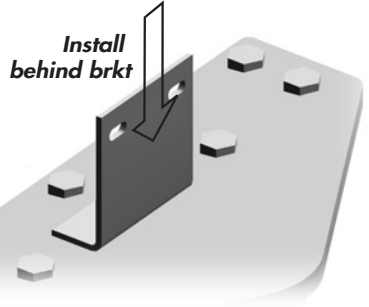
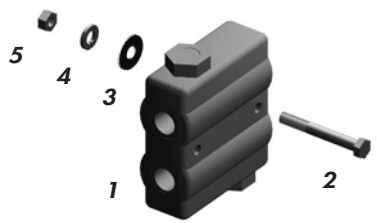


122729, 3 x 16 x 1 1/2 Angle cylinder

1	121671	Barrel	1
2	122558	Lock ring	1
3	122556	Open cap	1
4	118441	Lock nut 7/8 unf unitq	1
5	122563	Piston	1
6	122099	Rod & clevis	1
7	118930	Clevis pin	2
8	118796	Shld bolt 1/2 x 1 1/8	2
9	118924	Flat washer .591	2
10	122523	Seal kit	

778040 Angle hydraulic kit

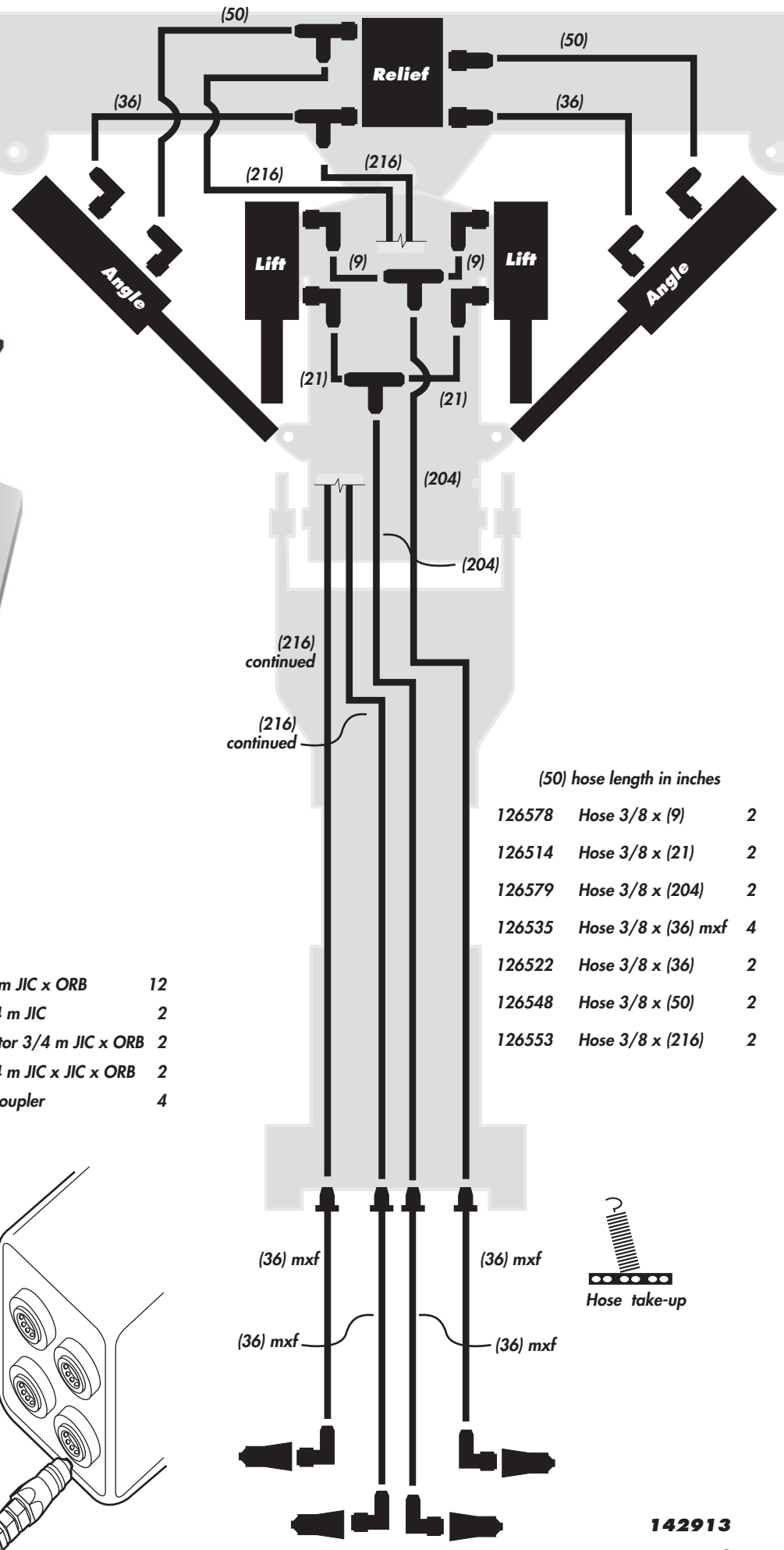
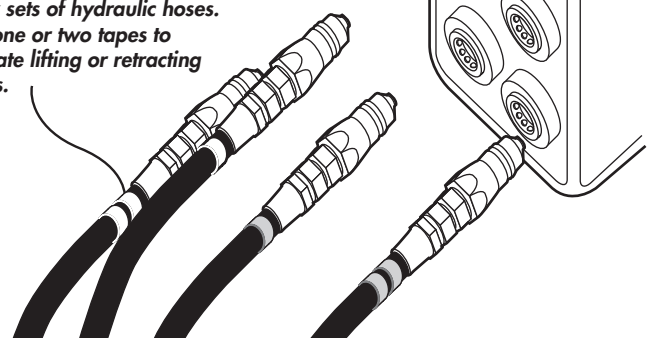
	Qty
1 141524 Relief valve	1
2 118105 Bolt 5/16 x 2 1/2	2
3 118538 Flat washer 5/16	2
4 118530 Lock washer 5/16	2
5 118427 Nut 5/16	2



141504	EL 3/4 m JIC x ORB	12
141501	TEE 3/4 m JIC	2
141515	Connector 3/4 m JIC x ORB	2
141527	TEE 3/4 m JIC x JIC x ORB	2
141581	Quick coupler	4

133091 Coloured hose markers, 1 pack

Use different coloured tape to mark sets of hydraulic hoses. Use one or two tapes to indicate lifting or retracting hoses.



(50) hose length in inches

126578	Hose 3/8 x (9)	2
126514	Hose 3/8 x (21)	2
126579	Hose 3/8 x (204)	2
126535	Hose 3/8 x (36) mxf	4
126522	Hose 3/8 x (36)	2
126548	Hose 3/8 x (50)	2
126553	Hose 3/8 x (216)	2

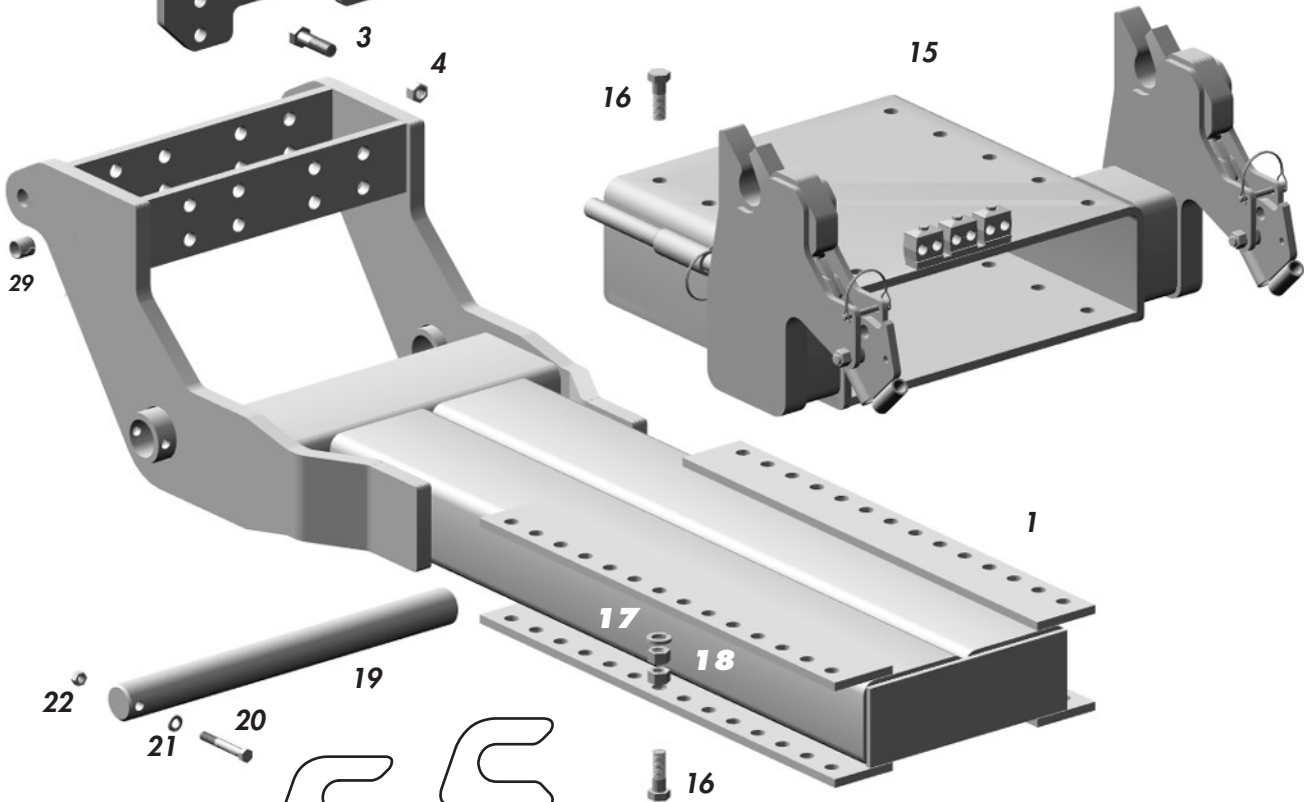
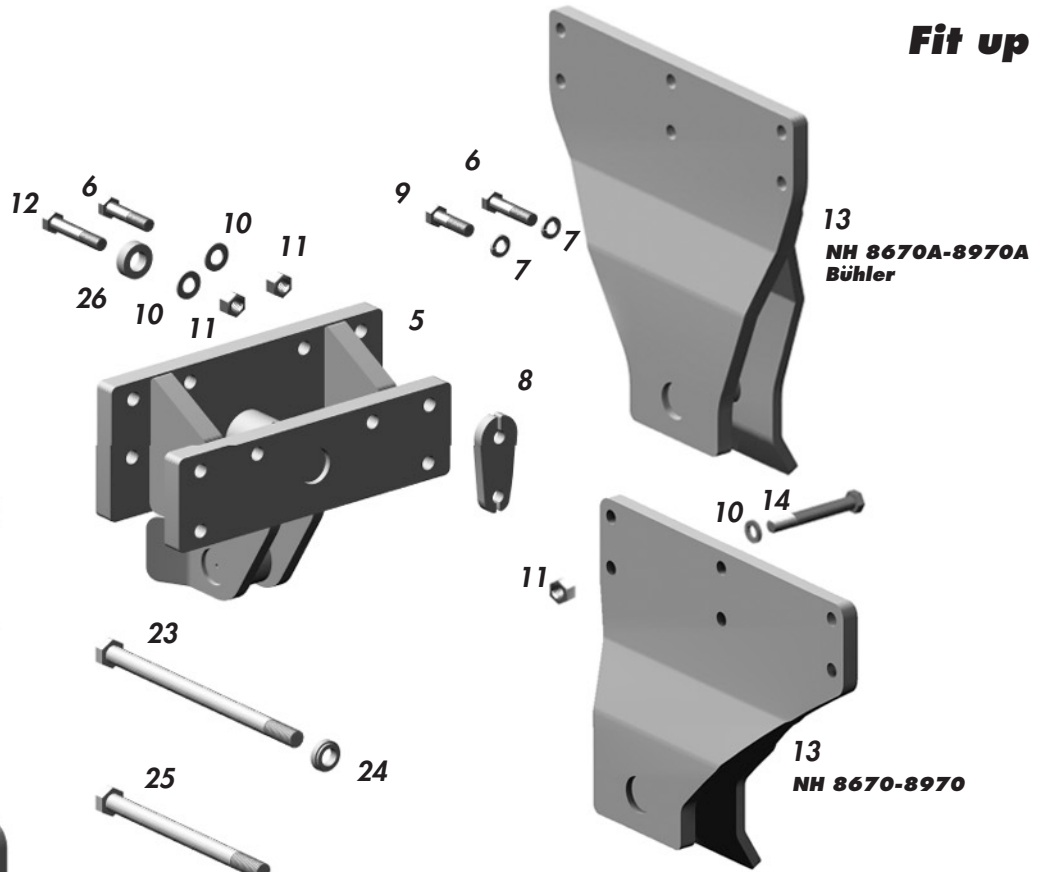
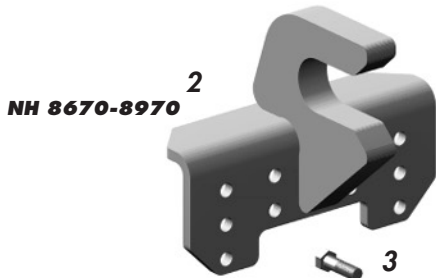
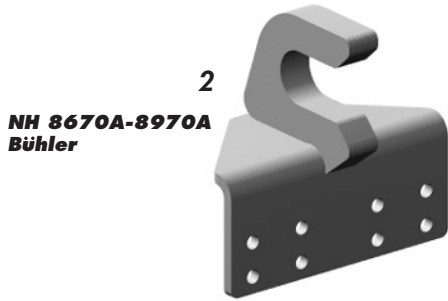
# Degelman

## 46/57 **D-Block**<sup>®</sup> dozerblade

NH 8670-8970  
&  
NH 8670A-8970A  
Bühler Genesis 2145-2210

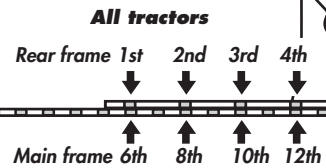
142913

**Fit up**



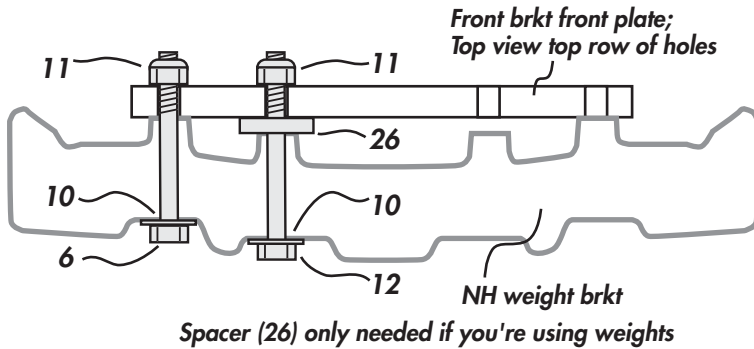
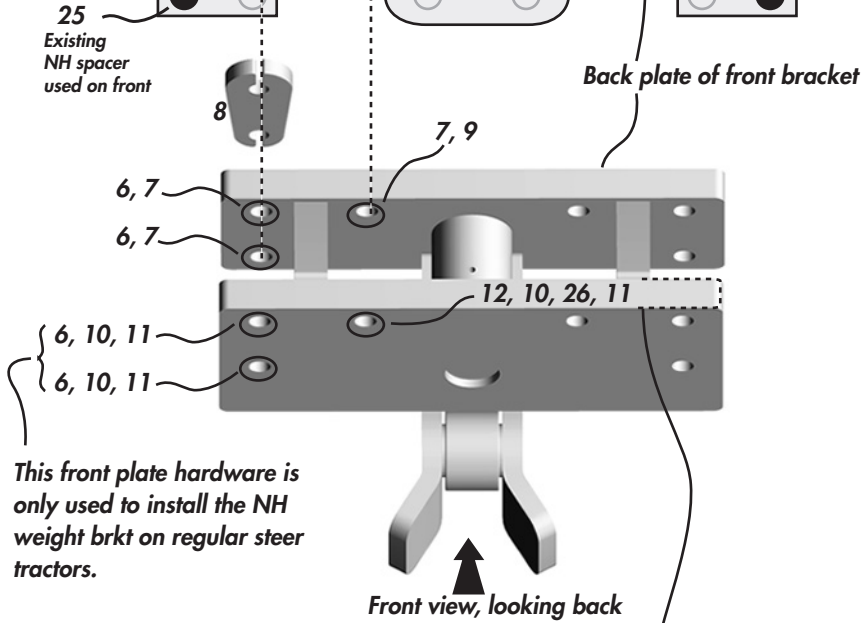
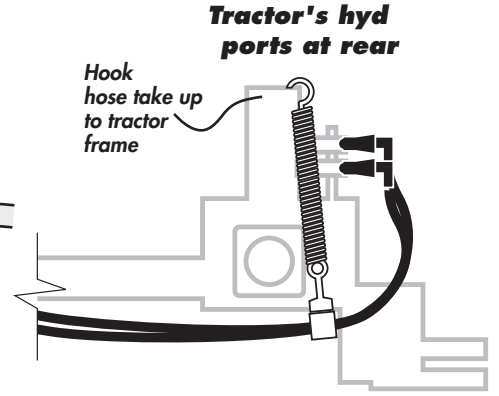
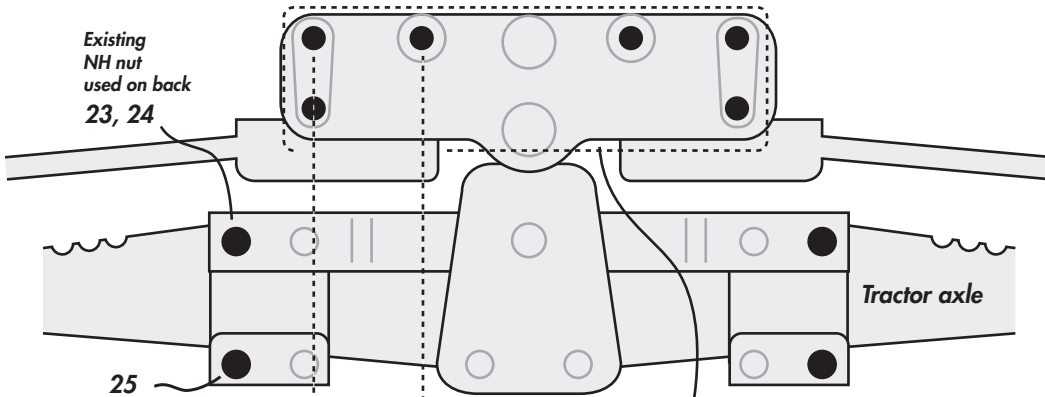
**NH 8670-8970**  
Back of back  
bolt bar-  
Upper row of holes

**NH 8670A-8970A**  
Bühler  
Front of back  
bolt bar

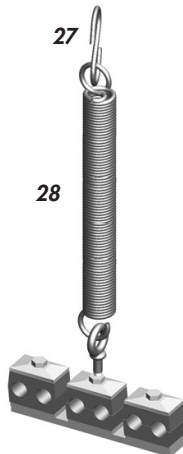




**Super steer (illustrated):**  
Take weight brkt off axle & install hardware shown



**Regular steer:**  
Take NH weight brkt off frame, no changes made to axle. NH weight brkt can be reinstalled on front brkt. Suitcase weights must be removed to install front brkt. Weights must be removed when blade is mounted.



Qty			Qty
1	780200	Main frame	1
2		NH 8670-8970	
	780220	Front hanger	1
		NH 8670A-8970A, Buhler	
	780668	Front hanger	1
3	118048	Bolt 3/4 x 2 1/2	8
4	118422	Lock nut 3/4	8
5	780240	Front bracket	1
6	118747	Bolt M20 x 80	8
7	118551	Lock washer M20	6
8	779239	Front brkt spacer	2
9	118751	Bolt M20 x 60	2
10	118749	Flat washer M20	6
11	118750	Lock nut M20	6
12	118748	Bolt M20 x 100	2
13		NH 8670-8970	
	780230	RH side bracket	1
	780231	LH	1
13		NH 8670A-8970A, Buler	
	780334	RH side brkt	1
	780335	LH	
14	118753	Bolt M20 x 140	12
10		Flat washer M20	12
11		Lock nut M20	12
15	780210	Rear frame	1
16	118743	Bolt 3/4 x 2 1/4	16
17	118509	Lock washer 3/4	16
18	118410	Nut 3/4	16
19	778070	Pivot pin, main-pivot	1
20	118082	Bolt 1/2 x 3 1/2	1
21	118504	Lock washer 1/2	1
22	118405	Nut 1/2	1
23	118745	Bolt 1 x 13 gr8	2
24	780228	Spacer washer	2
25	118691	Bolt 1 x 16	2
26	779413	Weight brkt spacer	2
27	780270	Hose take up	1
28	780274	Spring	1
29	117087	Wear bushing 1	2

Grand total

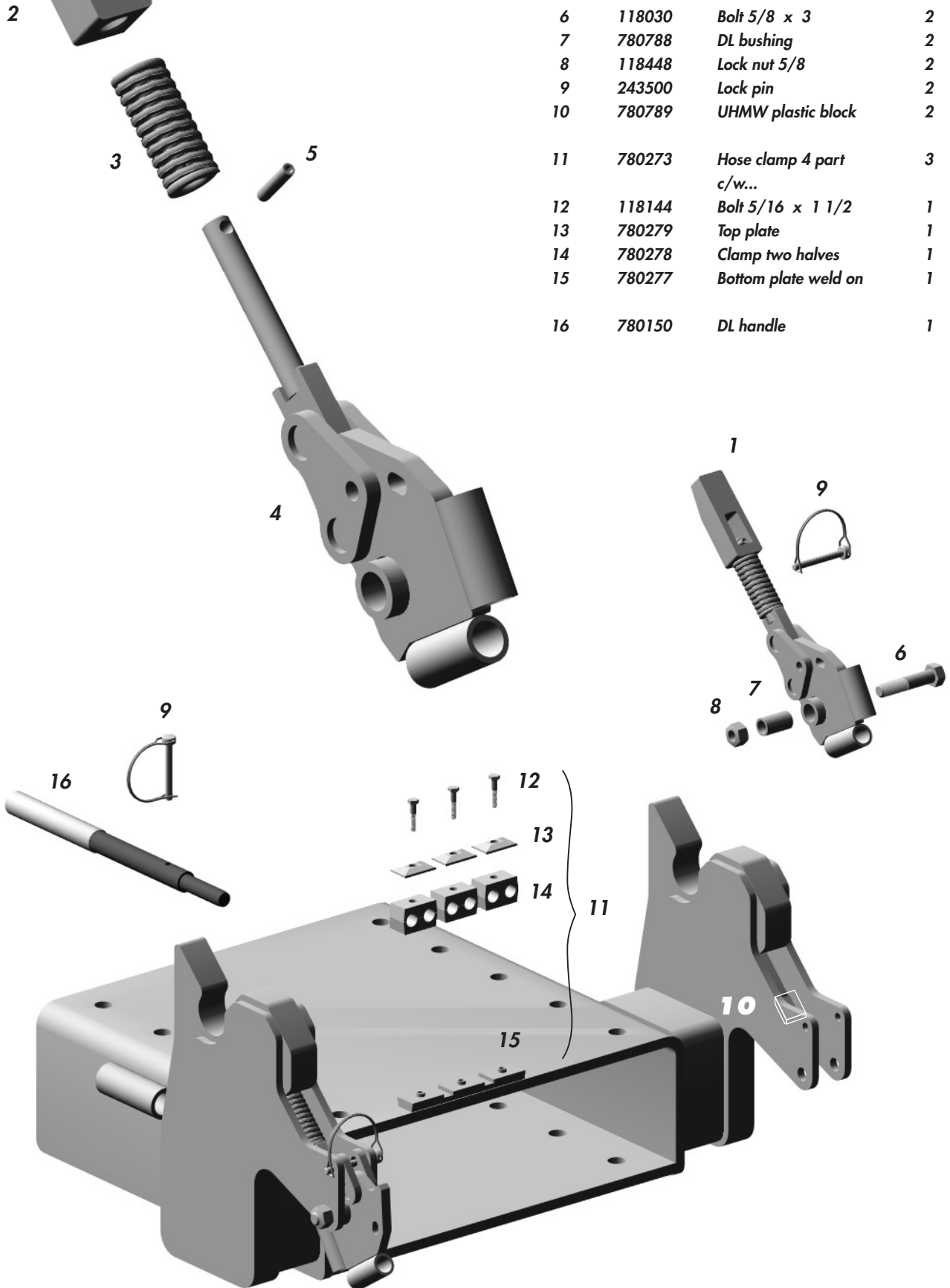
# Degelman 46/57 Dlock® dozerblade

142913

NH 8670-8970  
&  
NH 8670A-8970A  
Bühler Genesis 2145-2210

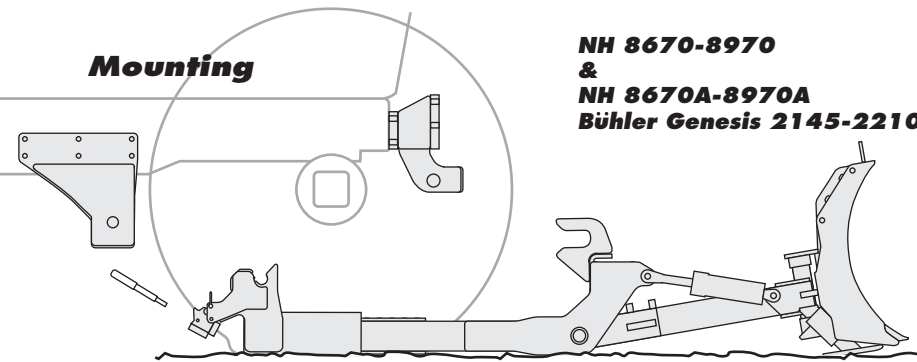
## Rear frame 780210

1	780145	Dlock linkage	2
		c/w...	
2	780143	Wedge	1
3	143116	Compression spring	1
4	780146	DL linkage plate/bush	1
5	118913	Roll pin	1
6	118030	Bolt 5/8 x 3	2
7	780788	DL bushing	2
8	118448	Lock nut 5/8	2
9	243500	Lock pin	2
10	780789	UHMW plastic block	2
11	780273	Hose clamp 4 part	3
		c/w...	
12	118144	Bolt 5/16 x 1 1/2	1
13	780279	Top plate	1
14	780278	Clamp two halves	1
15	780277	Bottom plate weld on	1
16	780150	DL handle	1

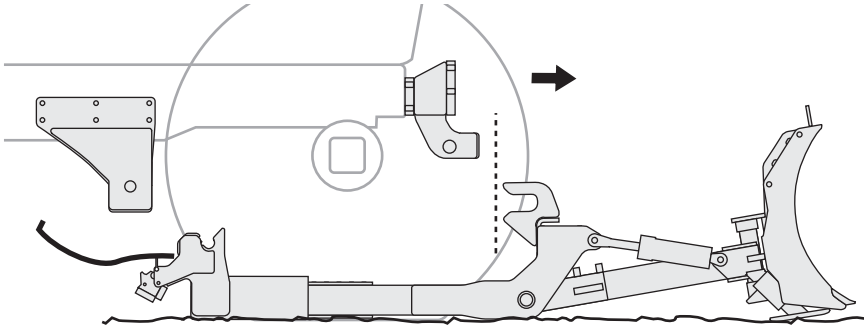


## Mounting

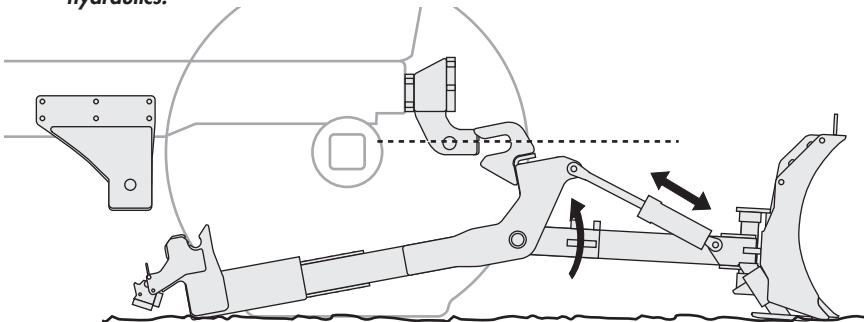
**NH 8670-8970  
&  
NH 8670A-8970A  
Bühler Genesis 2145-2210**



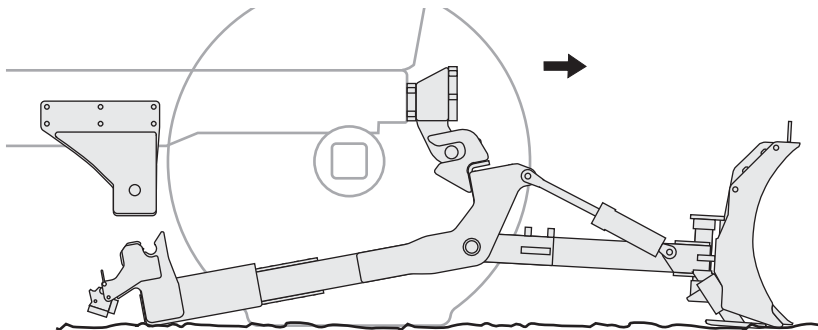
Line tractor up over the rear/main frames. Make sure Dlock is open, clip pin is put back on and handle is stored.



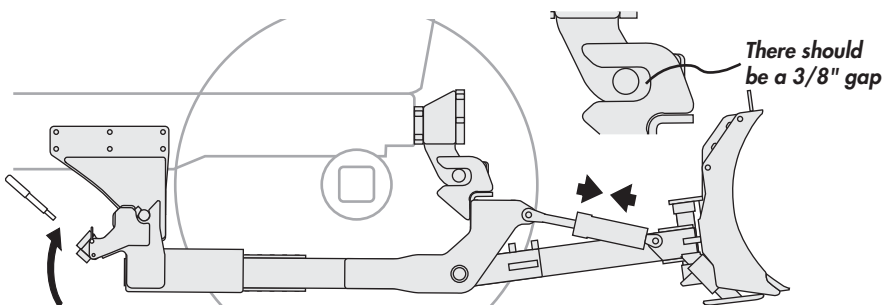
Drive forward so that the front bracket pin is just behind the front hanger's hook. It should be lined up so you can drive into the front hanger when it is raised up. Hook up the hydraulics.



Raise the front hanger by extending the lift cylinders so the pin and hook are level.

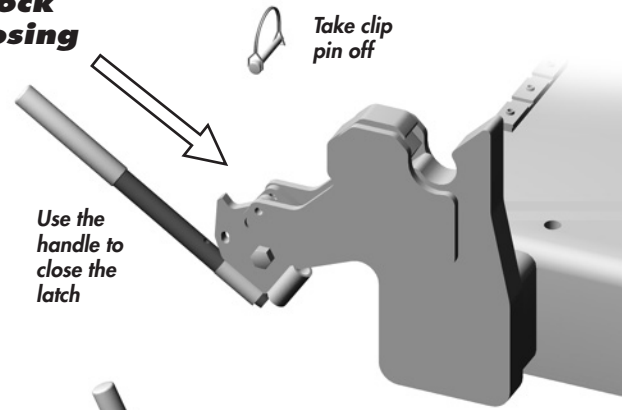


Drive forward until the pin is in the front hanger.



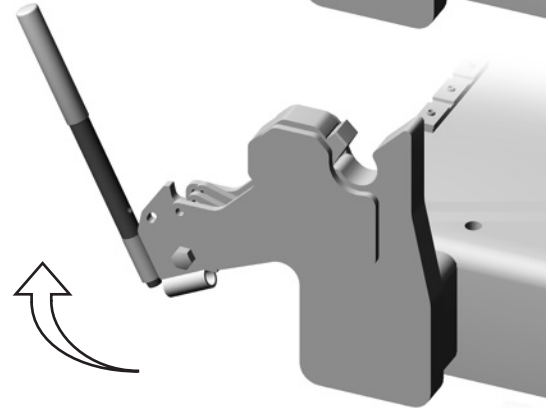
Now close the lift cylinders. This will raise up the rear frame. Take off clip, close the Dlock, attach clip then store the handle.

## Dlock closing

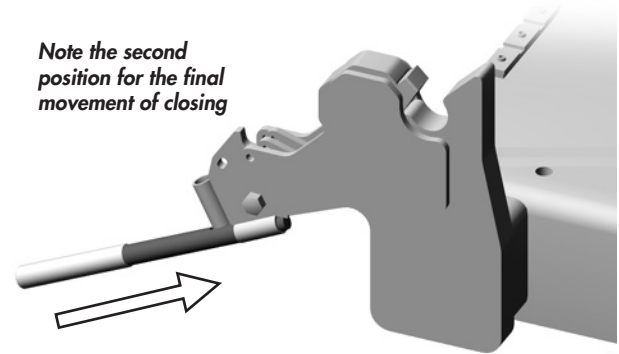


Take clip pin off

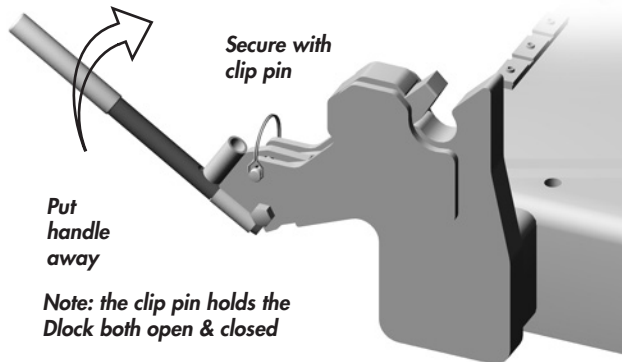
Use the handle to close the latch



Note the second position of closing



Secure with clip pin



Put handle away

Note: the clip pin holds the Dlock both open & closed



## **Make sure DLOCK is closed properly**

To disengage:

- 1- RAISE THE BLADE
- 2- Open the Dlock
- 3- Extend lift cylinder to lower rear frame
- 4- Lower main frame to ground
- 5- Back out to clear front hanger
- 6- Unhook hydraulics



### **WARNING**

It is vital to raise the blade before opening Dlock. If you don't the rear frame will fall.

# Degelman

## 46/57 **D-Block**<sup>®</sup>

### dozerblade

NH 8670-8970  
&  
NH 8670A-8970A  
Bühler Genesis 2145-2210

142913

#### Before using for the first time

- Lube all points
- Torque all hardware to correct setting
- Check hardware torque & hydraulics after the first 2 hrs & again after 10 hrs
- Check steering stops & tread width settings

#### Before using each time

Check:

- If all points lubricated
- All components attached securely
- Condition of cutting edge
- Depth shoe wear
- Hydraulics;
  - Tractor's oil reservoir
  - Condition of hoses, lines & fittings

#### Bleeding hyd

Bleed hydraulics of air. Cycle the hydraulics several times and hold the cylinders at full extent for several seconds.

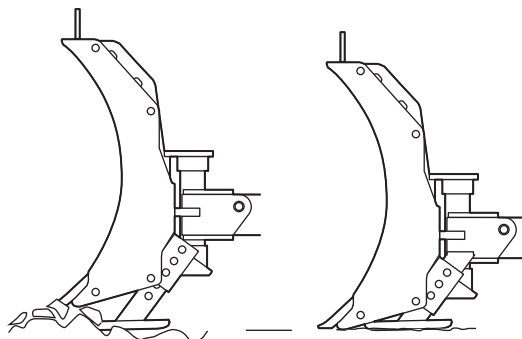
#### Depth shoes

Soft uneven ground

- Depth shoe low
- Blade high

Hard even ground

- Depth shoe high
- Blade low



## Operation, maintenance

#### Rear end weights & Tire inflation

If needed balance out your tractor by ballasting the rear end. You may need to raise the tire pressure in the front wheels. Consult your tractor's manual.

#### Floation mode

Here are some the things you can do with your hyd system in float position;

- Skim the top of pavement
- Run on the skid shoes
- Back drag

#### Cold weather

Cycle the cylinders several times to warm up system.

## TORQUE



all hardware

## TORQUE SETTINGS

**All hardware;**  
**Hex head, Plated ,**  
**Gr.5 UNC (imperial)**  
**or P10.9 2.5 (metric)**  
**Hoses;**  
**3/8, ends c/w**  
**3/4 JIC female swivel**  
**Unless stated otherwise**

Imperial Size	Grade		ft lb
	5	8	
1/4	9	12	
5/16	18	25	
3/8	30	45	
7/16	50	70	
1/2	75	110	
9/16	10	155	
5/8	155	215	
3/4	270	385	
7/8	435	620	
1	660	930	

Metric Size	SAE		ft lb
	8.8	10.9	
3	0.4	1.3	
4	2.2	3.3	
5	4	7	
6	7	11	
8	18	26	
10	37	52	
12	66	92	
15	66	228	
20	321	450	
24	553	774	

#### Hyd. fitting Size

3/4	75 ft lb
7/8	90

Record your serial number & blade width

[Empty box for serial number and blade width]

9, 10, 12 or 14ft



**All hardware;  
Hex head, Plated ,  
Gr.5 UNC (imperial)  
or P10.9 (metric)**

**Hoses;**

**3/8, ends c/w**

**3/4 JIC female swivel**

**Unless stated otherwise**



Metric thread specs

M	Thread pitch
14	2
16	2
20	2.5
22	2.5
24	3
27	3
30	3.5

## Lubrication

Lube all points and mechanisms after every 8 hr of use. Lube both sides

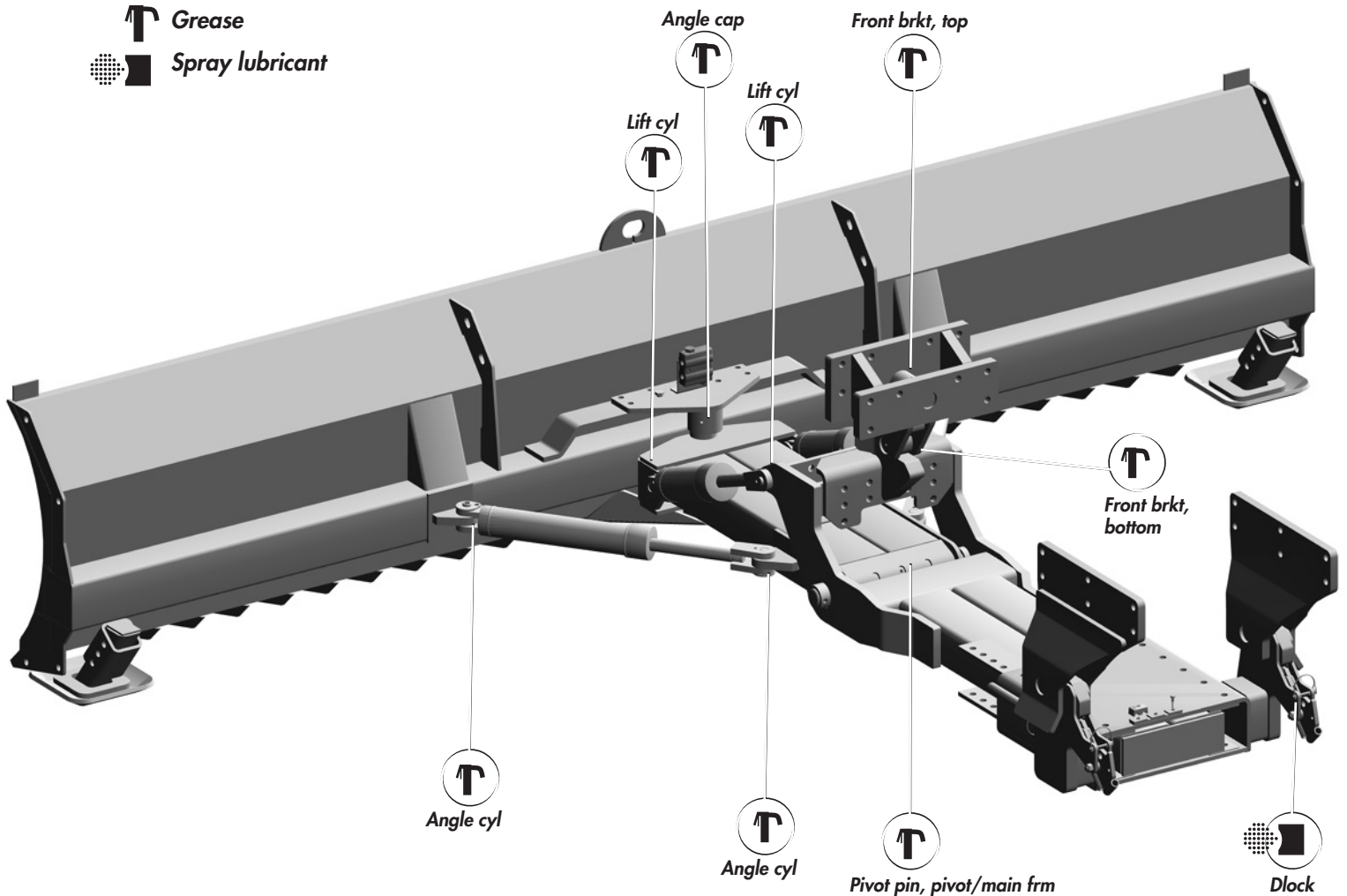
Lube with:



Grease



Spray lubricant



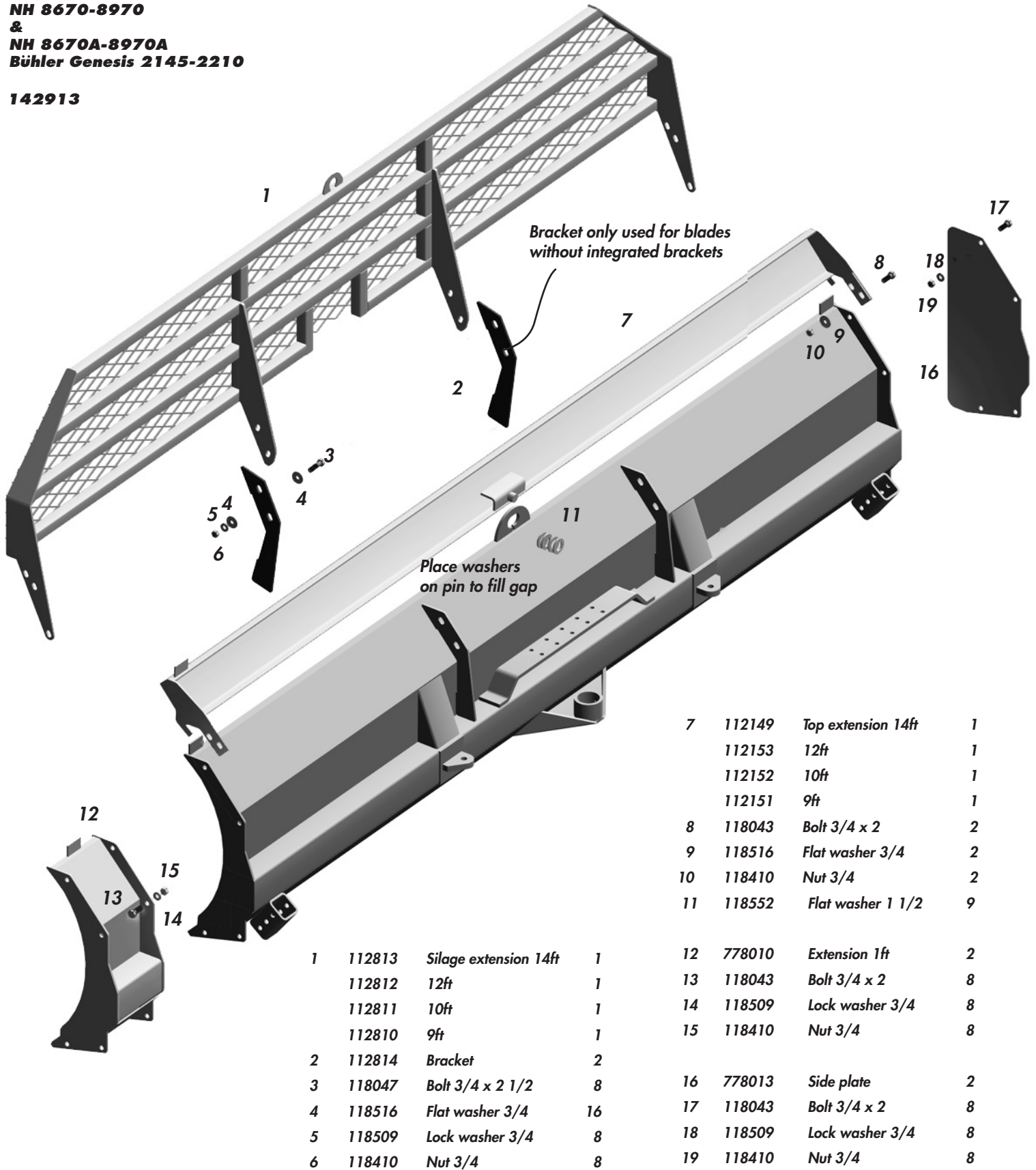
NH 8670-8970  
&  
NH 8670A-8970A  
Bühler Genesis 2145-2210

142913

## Options

## Decals & reflectors

142386	Warning decal, Falling Blade	2
142008	Degelman logo 25 3/4 lg	2
142280	Red reflector 6 3/8	2
142279	Amber reflector 3 1/4 lg	1
142904	46/57 blade decal	1



7	112149	Top extension 14ft	1	7	112149	Top extension 14ft	1
	112153	12ft	1		112153	12ft	1
	112152	10ft	1		112152	10ft	1
	112151	9ft	1		112151	9ft	1
8	118043	Bolt 3/4 x 2	2	8	118043	Bolt 3/4 x 2	2
9	118516	Flat washer 3/4	2	9	118516	Flat washer 3/4	2
10	118410	Nut 3/4	2	10	118410	Nut 3/4	2
11	118552	Flat washer 1 1/2	9	11	118552	Flat washer 1 1/2	9
1	112813	Silage extension 14ft	1	12	778010	Extension 1ft	2
	112812	12ft	1		112812	12ft	1
	112811	10ft	1		112811	10ft	1
	112810	9ft	1		112810	9ft	1
2	112814	Bracket	2	13	118043	Bolt 3/4 x 2	8
3	118047	Bolt 3/4 x 2 1/2	8	14	118509	Lock washer 3/4	8
4	118516	Flat washer 3/4	16	15	118410	Nut 3/4	8
5	118509	Lock washer 3/4	8	16	778013	Side plate	2
6	118410	Nut 3/4	8	17	118043	Bolt 3/4 x 2	8
				18	118509	Lock washer 3/4	8
				19	118410	Nut 3/4	8

## KILLED, INJURED OR SAFE?

### YOUR CHOICE



You are responsible for your own safety. If you are not familiar with basic agricultural & industrial safety, you must get training. Owners of equipment must by law give operating instructions to other operators such as family members or a hired hand.

Making any design changes to equipment could cause a hazard and damage your machine. Wear proper safety equipment.

Have handy;

- First aid kit
- Fire extinguisher

Before working on machine:

- Turn tractor off
- Set controls in neutral
- Remove ignition key
- Clean all reflectors and lights



### HYDRAULIC

Keep all parts clean. Replace worn or damaged parts. Don't try any makeshift repairs. Before operating check that everything is tight and not broken.

Wear gloves and eye protection when searching for leaks. Use a piece of wood or cardboard but not your hand. High pressure oil will penetrate your skin. If that happens you risk serious injury.



### BLADE

Lower blade to the ground when not in use. Keep clear of blade when tractor is running. Keep hands & feet away from under blade. Turn engine off when hooking up hydraulics and engaging DLOCK during mounting or dismounting.

### TRANSPORTING

Lift blade up then hold with safety chain. Make sure SMV sign & reflectors are clean. Use your hazard lights.



## WARRANTY

Degelman Industries warrants this product to the original owner for a period of one (1) year parts and labour and two (2) years parts from the date of purchase. All matters related to the warranty of our products must be handled through the authorized selling dealer.

Warranty does not cover normal wear of the machine components or damages caused by lack of maintenance or misuse, and is subject to the following provisions.

#### REPLACEMENT PARTS:

Will be warranted for a period of ninety (90) days.

#### WARRANTY ON MACHINES USED FOR CUSTOM WORK, RENTALS OR INDUSTRIAL USE:

Will be warranted as stated above, with the exception that it will be for a period of ninety (90) days only.

#### TIRES:

Will be adjusted for warranty by tire manufacturer.

#### LABOUR:

Any labour subject to warranty must be authorized by a Degelman representative before work is started. Warranty labour allowance and rates will be handled according to established warranty service policy.

#### GOVERNMENT LEGISLATION:

Warranty terms and conditions are subject to Provincial or State legislation.

#### MODIFICATIONS:

Warranty will be void if any component is altered or modified, unless written authorization is granted by Degelman Industries Limited.

#### WARRANTY ON ATTACHED EQUIPMENT:

No responsibility will be assumed for whatever damages may occur to persons, tractors or property.